



Gebrauchsanleitung	DE
Operating instructions	EN
Notice d'emploi	FR
Instrucciones de uso	ES



PowerSplice 20

No. 57648

The effectiveness of this product is completely dependent of the expertise of the person installing the connector.
If in any doubt please consult a qualified electrician.



A

15 ×	YE	0.2 ... 0.5 mm ²	12 V AC/DC 24 V AC/DC 230 V AC 400 V AC
9 ×	RD	0.6 ... 1.0 mm ²	
9 ×	BU	1.1 ... 2.6 mm ²	

PSE0009

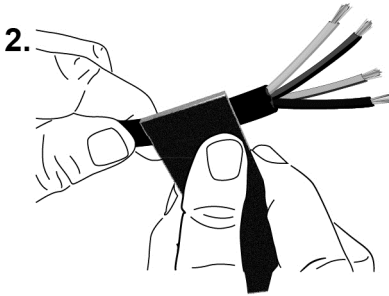
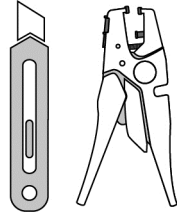
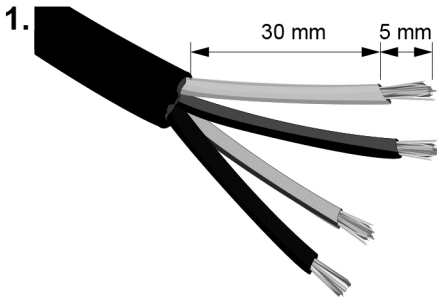
B

PSE0010

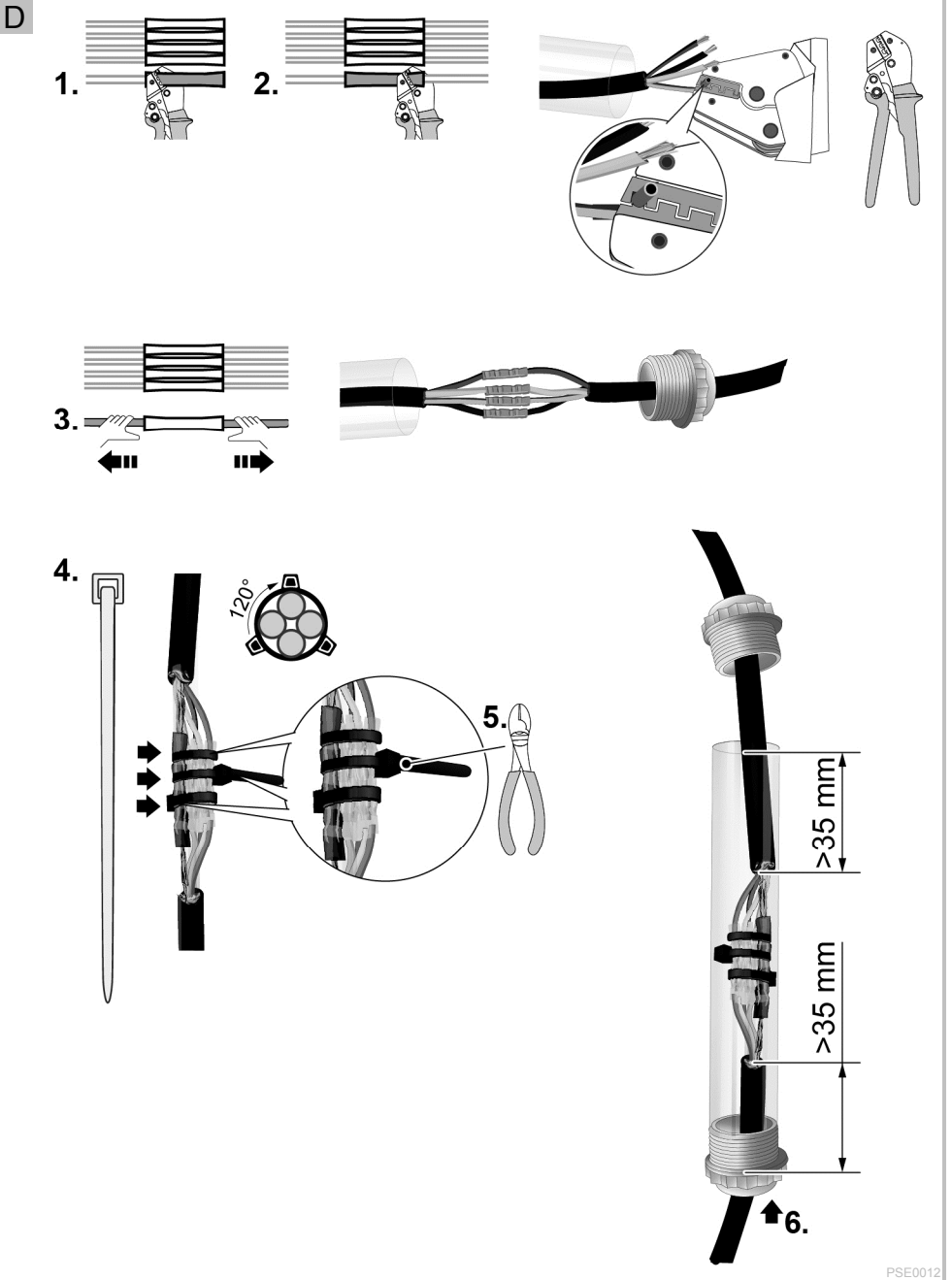
The effectiveness of this product is completely dependent of the expertise of the person installing the connector.
If in any doubt please consult a qualified electrician.



C



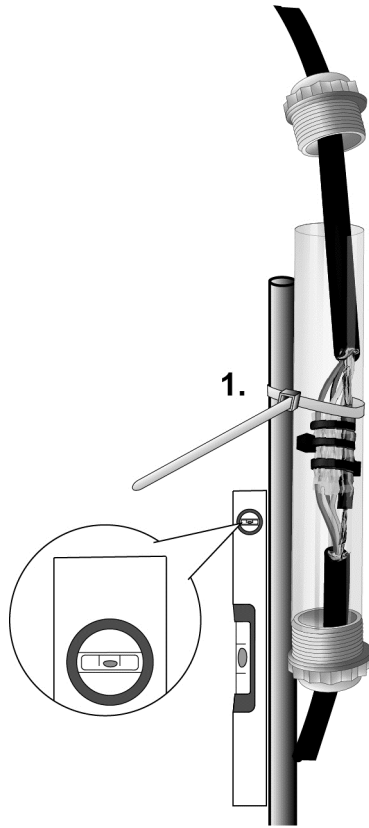
PSE0011



The effectiveness of this product is completely dependent of the expertise of the person installing the connector.
If in any doubt please consult a qualified electrician.



E



PSE0013

The effectiveness of this product is completely dependent of the expertise of the person installing the connector.
If in any doubt please consult a qualified electrician.



F

2.

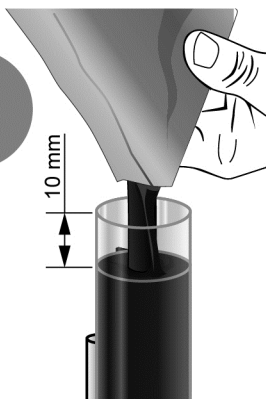


	< 5 °C < 41 °F	5 °C 41 °F	23 °C 73 °F	35 °C 95 °F	> 35 °C > 95 °F
		40 Min.	23 Min.	15 Min.	

3.



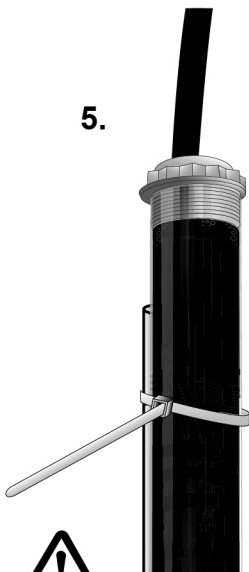
10 mm



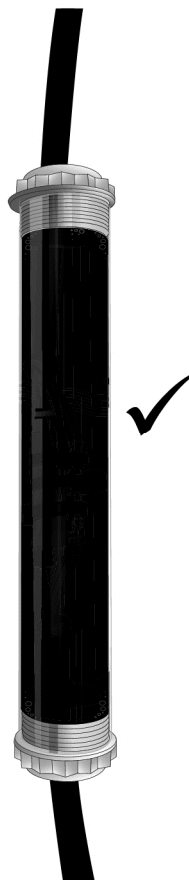
4. ↓



5.



	12 h



PSE0014

The effectiveness of this product is completely dependent of the expertise of the person installing the connector.
If in any doubt please consult a qualified electrician.

Safety information

Hazards encountered by the combination of water and electricity

- The combination of water and electricity can lead to death or severe injury from electrocution, if the unit is incorrectly connected or misused.
- Prior to reaching into the water, always switch off the mains voltage to all units used in the water.

Correct electrical installation

- Electrical installations must meet the national regulations and may only be carried out by a qualified electrician.
- A person is regarded as a qualified electrician, if, due to his/her vocational education, knowledge and experience, he or she is capable of and authorised to judge and carry out the work commissioned to him/her. This also includes the recognition of possible hazards and the adherence to the pertinent regional and national standards, rules and regulations.
- For your own safety, please consult a qualified electrician.
- The unit may only be connected when the electrical data of the unit and the power supply coincide. The unit data is to be found on the unit type plate or on the packaging, or in this manual.

Safe operation

- Never operate the unit if either the electrical cables or the housing are defective!
- Do not carry or pull the unit by its electrical cable.
- Route cords/hoses/lines in a way that they are protected against damage, and ensure that they do not present a tripping obstacle.
- Only open the unit housing or its attendant components, when this is explicitly required in the operating instructions.
- Only execute work on the unit that is described in this manual. If problems cannot be overcome, please contact an authorised customer service point or, when in doubt, the manufacturer.
- Never carry out technical modifications to the unit.

Guarantee

For this OASE unit purchased by you, OASE GmbH assumes a **24 month manufacturer's guarantee in accordance with the guarantee conditions laid down in the following**. The guarantee period starts with the first purchase from an OASE specialist dealer. In other words, in the event of a resale, the guarantee period will not start again. If services are provided under the terms of this guarantee, this does not lead to extension or renewal of the guarantee period. Your legal rights as a purchaser, especially those ensuing from the warranty, persist. They are not restricted by this guarantee.

Guarantee conditions

OASE GmbH guarantees impeccable, purpose-related properties and workmanship, expert assembly and proper functionality. Subject to our discretion, the guarantee refers to free-of-charge repair or free-of-charge supply of spare parts or of a replacement unit respectively. Should the unit type concerned no longer be manufactured, we reserve the right, at our discretion, to supply a replacement unit from our range that is closest to the type subject to complaint. Claims, the origin of which can be traced back to installation and operating faults as well as lack of care, e.g. the use of unsuitable cleaning materials or negligent maintenance, use other than that intended, damage due to accidents, falls, impact, effect of frost, cutting plugs, shortening cables, calcium deposits or improper attempts to repair the unit, are not covered by our guarantee. We hereby refer to the proper use as specified in the instructions of use that form an integral part of the guarantee. Wear parts such as bulbs etc. are exempted from the guarantee.

The refund of costs for removal and installation, checks, claims for lost profit and damages are exempted from the guarantee together with further reaching claims for damages and loss of whatever nature caused by the unit or its use. The guarantee is only valid in the country in which the unit was purchased from an OASE dealer. This guarantee is governed by German law under the exclusion of the agreement of the United Nations covering contracts governing the international sale of goods (CISG) regulations.

Guarantee claims can only be brought forward by presenting the sales receipt to us, OASE GmbH, Tecklenburger Straße 161 in D-48477 Hörstel, Germany by returning to us the unit or part of the unit subject to complaint, freight free, at your own risk, accompanied by a copy of the original purchase receipt from the OASE specialist dealer, this guarantee document and written information of the fault encountered.

DE	Wasserwerte	pH-Wert	Härte	Freies Chlor	Chloridgehalt	Salzgehalt	Gesamt trocken rückstand	Temperatur
EN	Water values	pH value	Hardness	Free chlorine	Chloride content	Salinity	Overall dry residue	Temperature
FR	Valeurs de l'eau	Valeur pH	Dureté	Chlore libre	Teneur en chlorure	Teneur en sel	Résidu sec total	Température
ES	Valores del agua	Valor pH	Dureza	Cloro libre	Contenido de cloruro	Contenido de sal	Residuo seco total	Temperatura
Freshwater		7.2 ... 7.6	8 ... 15 DH	<0.3 mg/l	<250 mg/l	-	<50 mg/l	4 ... 35 °C
Poolwater		7.2 ... 7.6	8 ... 15 DH	0.3 ... 0.6 mg/l	<200 mg/l	-	<50 mg/l	4 ... 30 °C
Saltwater		8.0	20 ... 30 DH	<0.3 mg/l	<22000 mg/l	<4.0 %	<250 mg/l	4 ... 20 °C

The effectiveness of this product is completely dependent of the expertise of the person installing the connector.
If in any doubt please consult a qualified electrician.



OASE GmbH · www.oase-livingwater.com

Tecklenburger Straße 161 · 48477 Hörstel · Postfach 20 69 · 48469 Hörstel · Germany

**The effectiveness of this product is completely dependent of the expertise of the person installing the connector.
If in any doubt please consult a qualified electrician.**